



**UNISON**









UNISON-This brand name represents our core values: Collaboration, Agreement and Honesty with our clients since this company founded in Hong Kong 1965. It also means our team value: Harmony, Focus and Hardworking.

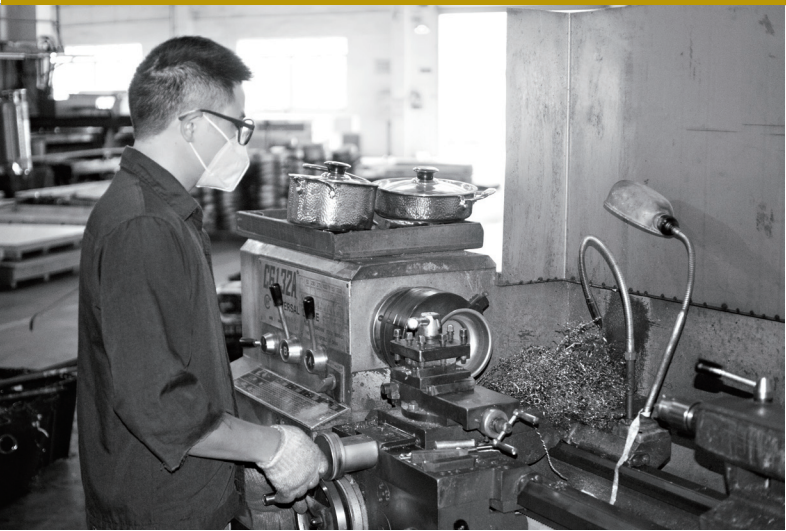
After two generation's hard work, UNISON changed from basic workshop to 3 modern factory, 30,000 square metres, with latest advanced manufacturing machinery such as CNC, Laser Cutting machine. During the transformation, we maintained the ability that focused on improving our product as well as using traditional handcraft skills. This has not been changed under last two generation's management. Our goal is not only manufacture a quality product but also something that will be passed on to the future.

UNISON supplied thousands of high-end products to professionals and domestic users. We have been working closely with international hotel groups such as IHG,Starwood,Hilton,Hyatt and Shangri-La and we received positive feedbacks. Our product is also very popular in the domestic market for its quality and uniqueness.

UNISON has always been working carefully to manufacturing perfect product. We supplied thousands of product to high-end clients and families. However we still proud that UNISON is a family business. This can only be achieved by two generation's hardworking.

*Addi Lee*











Inspire Series(hand hammered)



A001-1  
16X8cm



A001-2  
24X7cm



A001-3  
36X9cm



A001-4  
A:24X7cm  
B:26X7cm

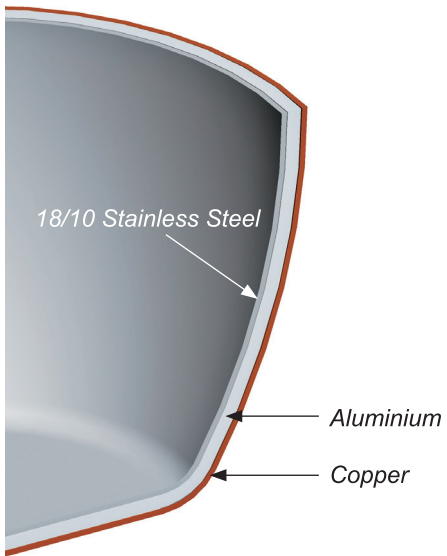


A001-5  
A:18X9cm  
B:20X10cm



A001-6  
A:24X12cm  
B:26X13cm  
C:30X16cm





A001-7  
A:20X14cm  
B:24X17cm  
C:26X17cm



A001-8  
38X26X10cm



Model No.	Outer Layer	Middle Layer	Inner Layer
A001-1	0.5mm Copper	1.5mm Aluminium	0.5mm 18/10 Stainless Steel
A001-2	0.5mm Copper	1.5mm Aluminium	0.5mm 18/10 Stainless Steel
A001-3	0.5mm Copper	1.5mm Aluminium	0.5mm 18/10 Stainless Steel
A001-4	0.5mm Copper	1.5mm Aluminium	0.5mm 18/10 Stainless Steel
A001-5	0.5mm Copper	1.5mm Aluminium	0.5mm 18/10 Stainless Steel
A001-6	0.5mm Copper	1.5mm Aluminium	0.5mm 18/10 Stainless Steel
A001-7	0.5mm Copper	1.5mm Aluminium	0.5mm 18/10 Stainless Steel
A001-8	0.5mm Copper	1.5mm Aluminium	0.5mm 18/10 Stainless Steel

Note: Please order intergrated induction bottom model for induction cooktops



Focus Series(mirror polishing)



A002-1  
16X8cm



A002-2  
24X7cm



A002-3  
36X9cm



A002-4  
A:24X7cm  
B:26X7cm



A002-5  
A:18X9cm  
B:20X10cm



A002-6  
A:24X12cm  
B:26X13cm  
C:30X16cm





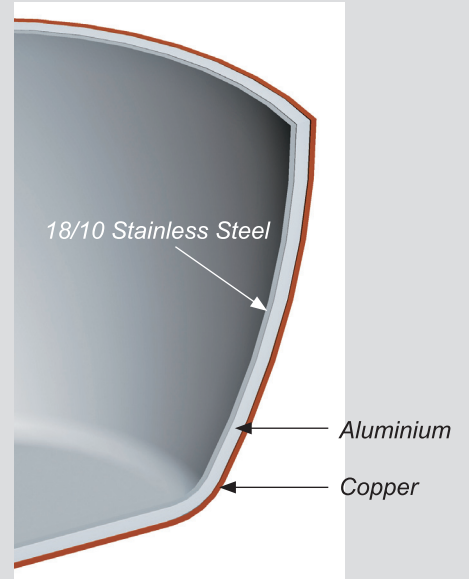
A-01



A-02



A-03



A-04



A-05



A-06



A-07



A002-7  
A:20X14cm  
B:24X17cm  
C:26X17cm



A002-8  
38X26X10cm

Model No.	Outer Layer	Middle Layer	Inner Layer
A002-1	0.5mm Copper	1.5mm Aluminium	0.5mm 18/10 Stainless Steel
A002-2	0.5mm Copper	1.5mm Aluminium	0.5mm 18/10 Stainless Steel
A002-3	0.5mm Copper	1.5mm Aluminium	0.5mm 18/10 Stainless Steel
A002-4	0.5mm Copper	1.5mm Aluminium	0.5mm 18/10 Stainless Steel
A002-5	0.5mm Copper	1.5mm Aluminium	0.5mm 18/10 Stainless Steel
A002-6	0.5mm Copper	1.5mm Aluminium	0.5mm 18/10 Stainless Steel
A002-7	0.5mm Copper	1.5mm Aluminium	0.5mm 18/10 Stainless Steel
A002-8	0.5mm Copper	1.5mm Aluminium	0.5mm 18/10 Stainless Steel



Note: Please order intergrated induction bottom model for induction cooktops



**Modern Series(hand hammered)**



Model No.	Outer Layer	Middle Layer	Inner Layer
A003-1	0.5mm 18/0 Stainless Steel	1.5mm Aluminium	0.5mm 18/10 Stainless Steel
A003-2	0.5mm 18/0 Stainless Steel	1.5mm Aluminium	0.5mm 18/10 Stainless Steel
A003-3	0.5mm 18/0 Stainless Steel	1.5mm Aluminium	0.5mm 18/10 Stainless Steel
A003-4	0.5mm 18/0 Stainless Steel	1.5mm Aluminium	0.5mm 18/10 Stainless Steel
A003-5	0.5mm 18/0 Stainless Steel	1.5mm Aluminium	0.5mm 18/10 Stainless Steel
A003-6	0.5mm 18/0 Stainless Steel	1.5mm Aluminium	0.5mm 18/10 Stainless Steel
A003-7	0.5mm 18/0 Stainless Steel	1.5mm Aluminium	0.5mm 18/10 Stainless Steel
A003-8	0.5mm 18/0 Stainless Steel	1.5mm Aluminium	0.5mm 18/10 Stainless Steel





**A003-3**  
A:24X7cm  
B:26X7cm



**A003-4**  
36X9cm



**A003-5**  
A:24X12cm  
B:26X13cm  
C:30X16cm



**A003-6**  
A:18X9cm  
B:20X10cm



**A003-7**  
A:20X14cm  
B:24X17cm  
C:26X17cm



**A003-8**  
38X26X10cm



Passion Series(mirror polishing)



A004-1  
16X8cm



A004-2  
24X7cm



A004-3  
36X9cm



A004-4  
A:24X7cm  
B:26X7cm



A004-5  
A:24X12cm  
B:26X13cm  
C:30X16cm



A004-6  
A:18X9cm  
B:20X10cm

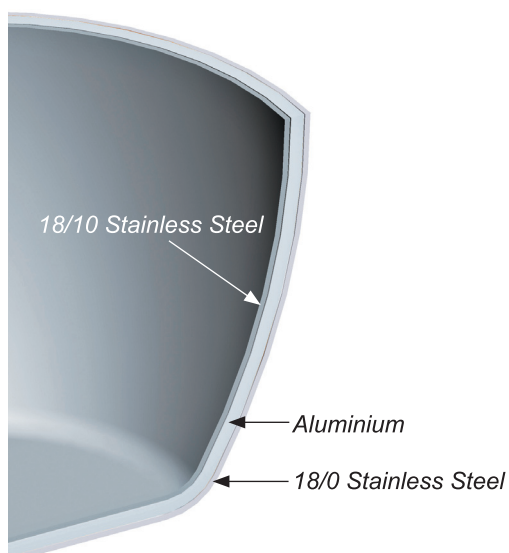




A004-7  
A:20X14cm  
B:24X17cm  
C:26X17cm



A004-8  
38X26X10cm



Model No.	Outer Layer	Middle Layer	Inner Layer
A004-1	0.5mm 18/0 Stainless Steel	1.5mm Aluminium	0.5mm 18/10 Stainless Steel
A004-2	0.5mm 18/0 Stainless Steel	1.5mm Aluminium	0.5mm 18/10 Stainless Steel
A004-3	0.5mm 18/0 Stainless Steel	1.5mm Aluminium	0.5mm 18/10 Stainless Steel
A004-4	0.5mm 18/0 Stainless Steel	1.5mm Aluminium	0.5mm 18/10 Stainless Steel
A004-5	0.5mm 18/0 Stainless Steel	1.5mm Aluminium	0.5mm 18/10 Stainless Steel
A004-6	0.5mm 18/0 Stainless Steel	1.5mm Aluminium	0.5mm 18/10 Stainless Steel
A004-7	0.5mm 18/0 Stainless Steel	1.5mm Aluminium	0.5mm 18/10 Stainless Steel
A004-8	0.5mm 18/0 Stainless Steel	1.5mm Aluminium	0.5mm 18/10 Stainless Steel



# Tradition Series



A005-1  
16X8cm



A005-2  
A:24X12cm  
B:26X13cm  
C:30X15cm



A005-4  
24X7Xcm



A005-3  
A:18X9cm  
B:20X10cm



Model No.	Outer Layer	Middle Layer	Inner Layer
A005-001	0.5mm Copper	1.5mm Aluminium	0.5mm 18/10 Stainless Steel
A005-002	0.5mm Copper	1.5mm Aluminium	0.5mm 18/10 Stainless Steel
A005-003	0.5mm Copper	1.5mm Aluminium	0.5mm 18/10 Stainless Steel
A005-004	0.5mm Copper	1.5mm Aluminium	0.5mm 18/10 Stainless Steel

Note: Please order intergrated induction bottom model for induction cooktops







A006-1  
16X8cm



A006-2  
24X7cm



A006-3  
18X9cm  
20X10cm



A006-4  
A:24X12cm  
B:26X13cm  
C:30X15cm

Model No.	Outer Layer	Middle Layer	Inner Layer
A006-1	0.5mm 18/0 Stainless Steel	1.5mm Aluminium	0.5mm 18/10 Stainless Steel
A006-2	0.5mm 18/0 Stainless Steel	1.5mm Aluminium	0.5mm 18/10 Stainless Steel
A006-3	0.5mm 18/0 Stainless Steel	1.5mm Aluminium	0.5mm 18/10 Stainless Steel
A006-4	0.5mm 18/0 Stainless Steel	1.5mm Aluminium	0.5mm 18/10 Stainless Steel





# Urban Series



A007-1  
16X8cm



A007-2  
24X7cm

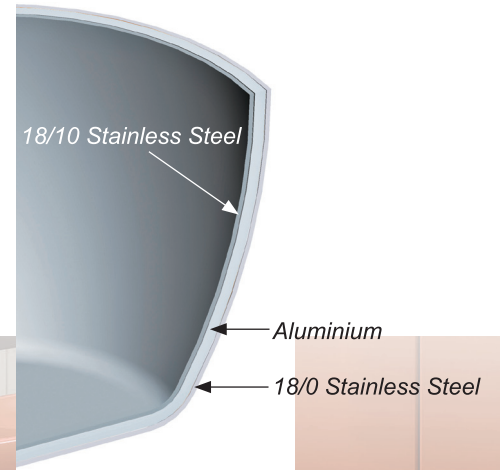


A007-3  
A:18X9cm  
B:20X10cm



A007-4  
A:24X12cm  
B:26X13cm  
C:30X15cm

Model No.	Outer Layer	Middle Layer	Inner Layer
A007-1	0.5mm 18/0 Stainless Steel	1.5mm Aluminium	0.5mm 18/10 Stainless Steel
A007-2	0.5mm 18/0 Stainless Steel	1.5mm Aluminium	0.5mm 18/10 Stainless Steel
A007-3	0.5mm 18/0 Stainless Steel	1.5mm Aluminium	0.5mm 18/10 Stainless Steel
A007-4	0.5mm 18/0 Stainless Steel	1.5mm Aluminium	0.5mm 18/10 Stainless Steel





# Classic Series



A008-1  
16X8cm



A008-2  
24X7cm



A008-3  
A:16X8cm  
B:20X11cm  
C:24X13cm



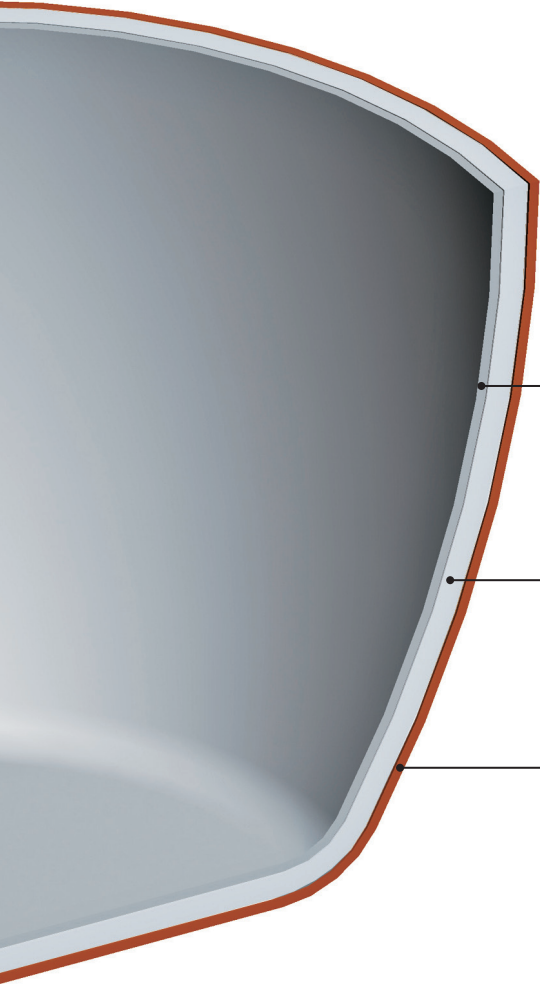
18/10 Stainless Steel  
Aluminium  
18/0 Stainless Steel

Model No.	Side Material/Inner Layer	Bottom Material	
		Middle Layer	Outer Layer
A008-1	0.5mm 18/10 Stainless Steel	1.5mm Aluminium	0.5mm 18/0 Stainless Steel
A008-2	0.5mm 18/10 Stainless Steel	1.5mm Aluminium	0.5mm 18/0 Stainless Steel
A008-3	0.5mm 18/10 Stainless Steel	1.5mm Aluminium	0.5mm 18/0 Stainless Steel





# Product Design Illustration



*Saves cooking time and energy.*

*Rapid, uniform heat conduction and distribution.*

*18/10 Stainless Steel*  
*Surface cooking easy to cleaning*

*Aluminium*  
*Good conductor, distributes heat evenly and quickly*

*Copper*  
*Magnetic stainless steel for induction cooking*



*For Induction cooktops: Integrated 18/10 Stainless steel bottom design available for all copper triply products.*

*Please inform us before placing order.*





# MAINTENANCE

COPPER CLEANER

CLEANING TIME IS 2 MINUTES!

